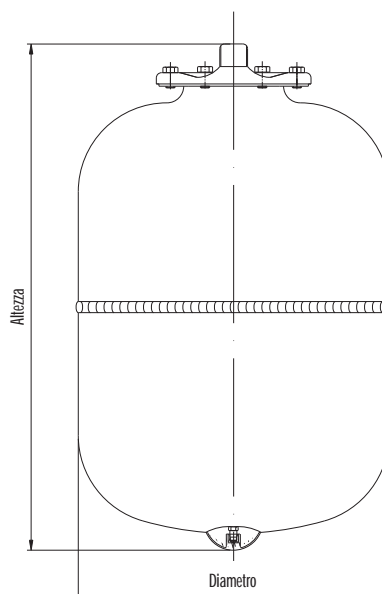




Acqua calda - Hot water - eau chaude

SERIE VR



Utilizzo: circuiti acqua calda, autoclave di pressurizzazione acqua calda
 Use: hot water circuits, pressurizing surge tanks
 Utilisation: circuits eau chaude, vase de pressurisation eau chaude

Temperatura d'esercizio - 10° C
 Working temperature
 Température d'exercice + 100° C

Finitura esterna colore
 External finish color
 Peinture externe **RAL 3000**

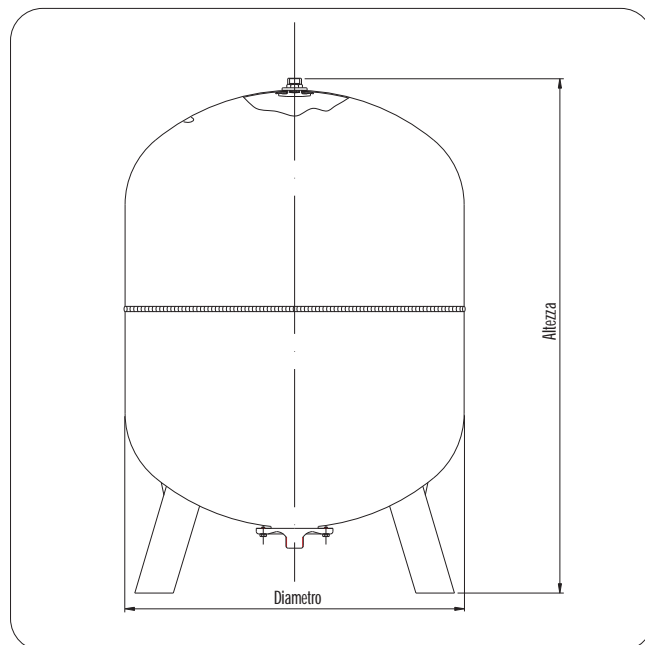
Membrana in gomma
 Rubber membrane
 Vessie en gomme **EPDM**

Modello Model Modèle	Codice Code Code	Altezza Height Hauteur (mm)	Diametro Diameter Diamètre (mm)	Lunghezza Length Longeur (mm)	Pressione massima d'esercizio Maximun working pressure Pression maximale d'exercice (bar)	Pressione di precarica standard Standard pre-loading pressure Pression de precharge standard (bar)	Imballo Packing Emballage L X H X P (mm)	Attacco Connection Raccordement (inch)
VR5	AADRE00R01BD1	304	160'	-	8	1,5	(Pz8) 350X350X630	3/4"
VR8	AAERE00R01BD1	316	200	-	8	1,5	(Pz8) 430X440X670	3/4"
VR12	AAFRE00R01BD1	295	280	-	8	1,5	(Pz8) 580X580X650	3/4"
VR18	AAGRE00R01BC1	456	280	-	8	1,5	(Pz4) 460X570X570	3/4"
VR24	AAIRE00R01DC1	489	280	-	8	1,5	(Pz4) 510X570X570	3/4"
VR35	AAJRE00R01DA1	440	365	-	8	1,5	(Pz1) 380X400X460	3/4"
VR50	AAKRE00R01DA1	545	365	-	8	1,5	(Pz1)380X400X570	3/4"

Vasi d'espansione a membrana intercambiabile
 Expansion vessels with replaceable bladder
 Vases d'expansion à vessie replaceable

Marcati CE secondo la Direttiva - CE marked according to Directive - Avec le marque CE selon la Directive
 PED 97/23/CE

SERIE VRV



Utilizzo: circuiti acqua calda, autoclave di pressurizzazione acqua calda
 Use: hot water circuits, pressurizing surge tanks
 Utilisation: circuits eau chaude, vase de pressurisation eau chaude

Temperatura d'esercizio - 10° C
 Working temperature
 Température d'exercice + 100° C

Finitura esterna colore
 External finish color
 Peinture externe **RAL 3000**

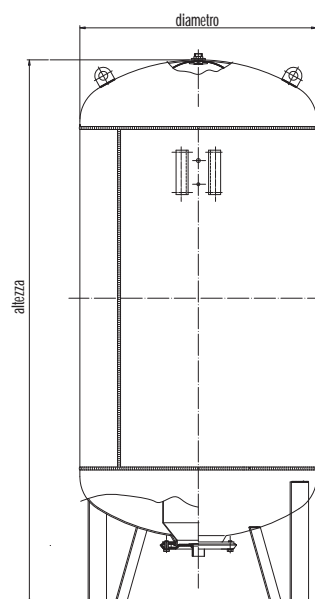
Membrana in gomma
 Rubber membrane
 Vessie en gomme **EPDM**

Modello Model Modèle	Codice Code Code	Altezza Height Hauteur (mm)	Diametro Diameter Diamètre (mm)	Lunghezza Length Longeur (mm)	Pressione massima d'esercizio Maximun working pressure Pression maximale d'exercice (bar)	Pressione di precarica standard Standard pre-loading pressure Pression de precharge standard (bar)	Imballo Packing Emballage L X H X P (mm)	Attacco Connection Raccordement (inch)
VRV35	AAJRE01R01DA1	450	365	-	8	1,5	(Pz1) 380X400X460	¾ "
VRV50	AAKRE01R01DA1	564	365	-	8	1,5	(Pz1) 380X400X570	¾ "
VRV60	AALRE01R01DA1	668	365	-	8	1,5	(Pz1) 380X400X700	¾ "
VRV80	AAMRE01R01EA1	687	410	-	8	1,5	(Pz1) 430X450X700	1 "
VRV100	AANRE01R01EA1	663	495	-	8	1,5	(Pz1) 510X540X700	1 "
VRV120	AAORE01R01EA1	733	495	-	8	1,5	(Pz1) 570X610X850	1 "
VRV150	AAPRE01R01EA1	795	550	-	8	1,5	(Pz1) 570X610X850	1 "
VRV200	AAQRE01R11EA1	1020	600	-	8	1,5	(Pz1) 620X630X1030	1 "
VRV250	AARRE01R21EA1	986	650	-	8	1,5	(Pz1) 670X680X1290	1 "
VRV300	AASRE01R11EA1	1168	650	-	8	1,5	(Pz1) 670X680X1290	1 "
VRV400	AATRE01R21FA1	1093	750	-	8	1,5	(Pz1) 750X770X1510	1¼ "
VRV500	AAURE01R21FA1	1347	750	-	8	1,5	(Pz1) 750X770X1510	1¼ "
VRV600	AAVRE01R11FA1	1610	750	-	8	1,5	(Pz1) 750X800X1650	1¼ "

Vasi d'espansione a membrana intercambiabile
Expansion vessels with replaceable bladder
Vases d'expansion à vessie remplaçable

Marchi CE secondo la Direttiva - CE marked according to Directive - Avec le marque CE selon la Directive
 PED 97/23/CE

SERIE VRV



Utilizzo: circuiti acqua calda, autoclave di pressurizzazione acqua calda
Use: hot water circuits, pressurizing surge tanks
Utilisation: circuits eau chaude, vase de pressurisation eau chaude

Temperatura d'esercizio - 10° C
 Working temperature
 Température d'exercice + 100° C

Finitura esterna colore
 External finish color
 Peinture externe **RAL 3000**

Membrana in gomma
 Rubber membrane
 Vessie en gomme **EPDM**

Modello Model Modèle	Codice Code Code	Altezza Height Hauteur (mm)	Diametro Diameter Diamètre (mm)	Lunghezza Length Longeur (mm)	Pressione massima d'esercizio Maximun working pressure Pression maximale d'exercice (bar)	Pressione di precarica standard Standard pre-loading pressure Pression de precharge standard (bar)	Imballo Packing Emballage L X H X P (mm)	Attacco Connection Raccordement (inch)
VRV750	AAARG01R31GP1	1820	800	-	10	4	(Pz1) 800X800X1950	2"
VRV1000	AAARG01R31HP1	2160	800	-	10	4	(Pz1) 800X800X2300	2"
VRV1500	AAZRG01R31HP1	2360	960	-	10	4	(Pz1) 1200X1200X2500	2"

Marcati CE secondo la Direttiva - CE marked according to Directive - Avec le marque CE selon la Directive
PED 97/23/CE

Temperatura d'esercizio - 10° C
 Working temperature
 Température d'exercice + 70° C

Finitura esterna colore
 External finish color
 Peinture externe **RAL 3000**

Membrana in gomma
 Rubber membrane
 Vessie en gomme **BUTYL**

Modello Model Modèle	Codice Code Code	Altezza Height Hauteur (mm)	Diametro Diameter Diamètre (mm)	Lunghezza Length Longeur (mm)	Pressione massima d'esercizio Maximun working pressure Pression maximale d'exercice (bar)	Pressione di precarica standard Standard pre-loading pressure Pression de precharge standard (bar)	Imballo Packing Emballage L X H X P (mm)	Attacco Connection Raccordement (inch)
VRV2000	AAARG01R31NP1	2555	1100	-	10	4	(Pz1) 1200X1200X2700	2"
VRV3000	AABRG01R31OP1	2790	1200	-	10	4	(Pz1) 1200X1200X2900	DN65
VRV4000	AA4RG02R31OP1	3200	1450	-	10	4	(Pz1) 1450X1450X3200	DN80
VRV5000	AA5RG02R31OP1	3645	1450	-	10	4	(Pz1) 1450X1450X3645	DN80

Vasi d'espansione a membrana intercambiabile
Expansion vessels with replaceable bladder
Vases d'expansion à vessie replaceable

Marcati CE secondo la Direttiva - CE marked according to Directive - Avec le marque CE selon la Directive
PED 97/23/CE