

Central heating circulation pumps

SCR 40 - SCR 60 - SCR 80

Technical data

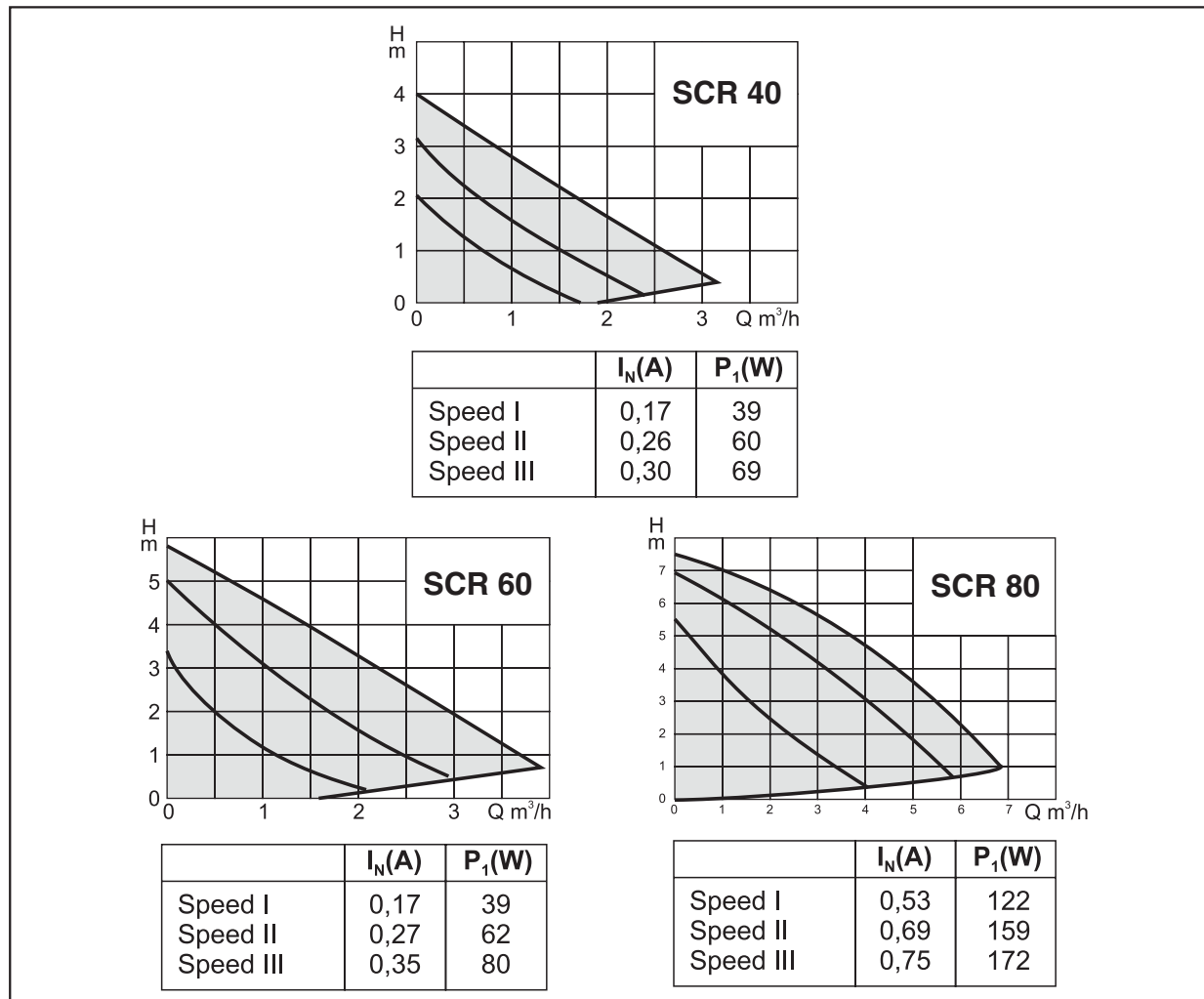
- single-phase motor with a wet rotor
- three rotational speeds
- operating voltage: 1 x 230 V~50 Hz
- max. operating pressure: 10 bar
- media temperature: 5°C to 110°C max.
- ambient temperature: 40°C max.
- protection type: IP 44
- connection: external thread GZ 1", 1 1/4", 1 1/2" (standard), 2"
- length: 180 mm (standard), 130 mm, 110 mm (brass)



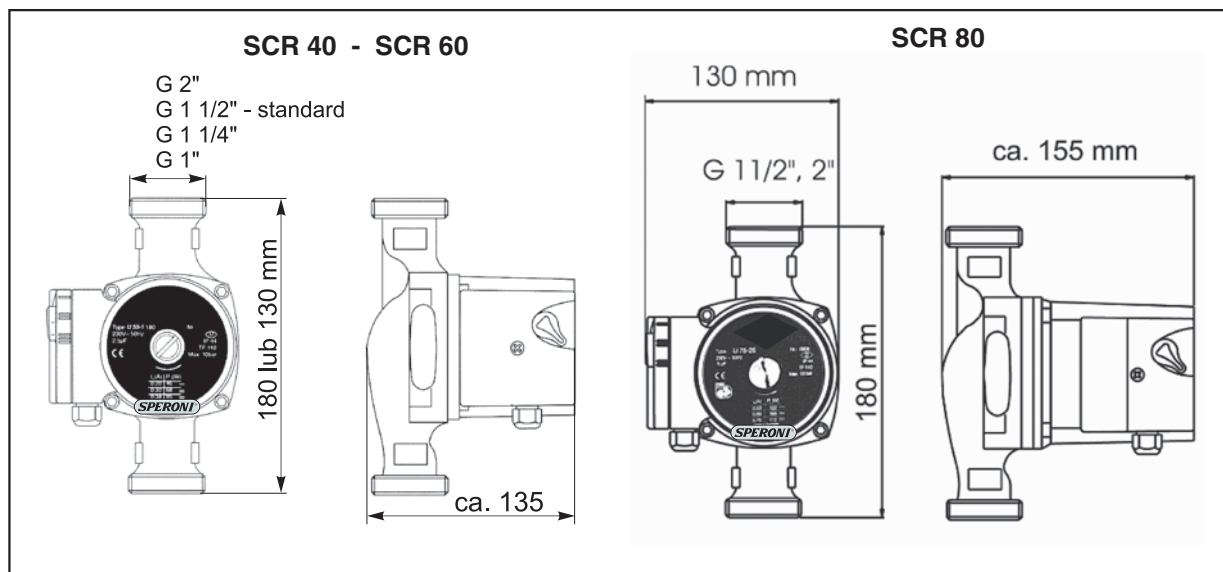
The pump has been created to pump warm water in central heating systems, however it can be used to pump liquid media in industrial and commercial usage. The pump may also be a part of a solar heating installation.

The articles are manufactured from the highest quality cast iron and chrome-nickel steel, which guarantees that the products are of high quality. The product has a ceramic bearing ring and a rotor disk made of technical polymer.

Pumps' characteristics



Dimension illustration



SCR 40

Article	Pump body	Length (mm)	DN	External thread	H(m)	Power consumption (W)
SCR 25/40-180	Cast iron	180	25	G 1 1/2 "	4	28-63
SCR 15/40-130	Cast iron	130	15	G 1 "	4	28-63
SCR 20/40-130	Cast iron	130	20	G 1 1/4 "	4	28-63
SCR 25/40-130	Cast iron	130	25	G 1 1/2 "	4	28-63
SCR 20/40-180	Cast iron	180	20	G 1 1/4 "	4	28-63
SCR 32/40-180	Cast iron	180	32	G 2 "	4	28-63

SCR 60

Article	Pump body	Length (mm)	DN	External thread	H(m)	Power consumption (W)
SCR 25/60-180	Cast iron	180	25	G 1 1/2 "	6	39-80
SCR 15/60-130	Cast iron	130	15	G 1 "	6	39-80
SCR 20/60-130	Cast iron	130	20	G 1 1/4 "	6	39-80
SCR 25/60-130	Cast iron	130	25	G 1 1/2 "	6	39-80
SCR 20/60-180	Cast iron	180	20	G 1 1/4 "	6	39-80
SCR 32/60-180	Cast iron	180	32	G 2 "	6	39-80

SCR 80

Article	Pump body	Length (mm)	DN	External thread	H(m)	Power consumption (W)
SCR 25/80-130	Cast iron	130	25	G 1 1/2 "	8	122-170
SCR 32/80-130	Cast iron	130	32	G 2 "	8	122-170
SCR 25/80-180	Cast iron	180	25	G 1 1/2 "	8	122-170
SCR 32/80-180	Cast iron	180	32	G 2 "	8	122-170