

Complements for Solar Energy Systems

AS Storage Cylinders

For Domestic Hot Water systems with solar collectors.

Storage cylinders AS 80, 110, 150, 1000, 2000 and 3000-1E include a coil heat exchanger fed by the heat-carrying fluid from solar collectors.

Smaller capacity models AS 80, 110 and 150-1E have been designed to be installed in series with wall-mounted boilers featuring instantaneous Domestic Hot Water production.

Models AS 200, 300, 400, 500, 800 and 1000-2E include a twin-coil heat exchanger - the lower one is connected to the solar collector circuit, while the upper one is used for additional back-up heating.

In models AS 1000, 2000 and 3000-IN E with no heating coil, water heating takes place through external heat exchangers. An optional electric heater can be supplied with all models.

The cylinders and heating coils are made from enamelled stainless steel and are protected by magnesium anodes.

They are insulated with 50 to 100 mm-thick polyurethane foam, depending on the model, and enveloped by a PVC jacket finished in white RAL 9010.

Storage cylinders AS 300, 400 and 500-2E incorporate a control panel with thermostat. 5-year guarantee.

Maximum working pressure:
8 bar in models AS 80, 110 and 150-1E
10 bar in all other models

Maximum working temperature:
90 °C in models AS 80, 110 and 150-1E and AS 300, 400 and 500-2E
95 °C in all other models.

Delivery

In a single package.

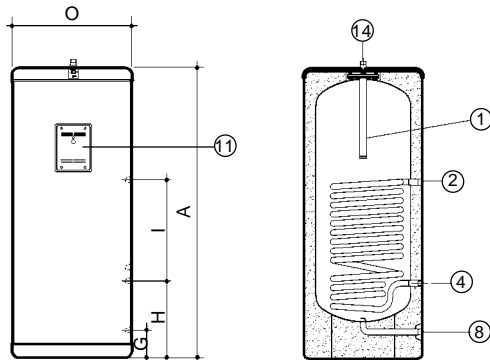
Optional supply

1 back-up heater.

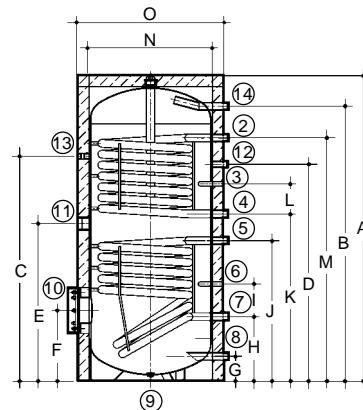


Dimensions and Technical Data

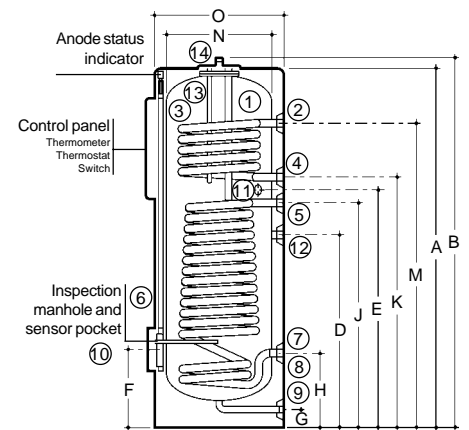
AS 80-1E, 110-1E and 150-1E
(1 coil)



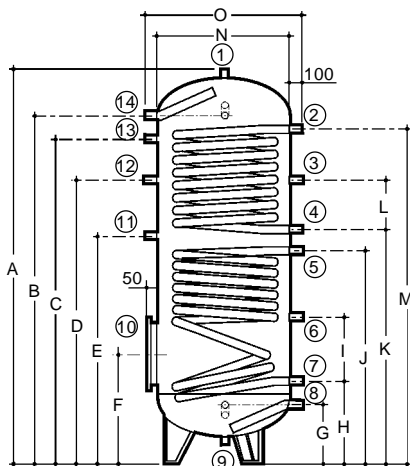
AS 200-2 E
(dual coil)



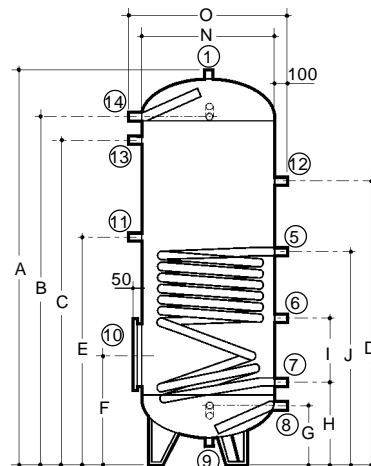
AS 300-2 E, 400-2 E and 500-2 E
(dual coil)



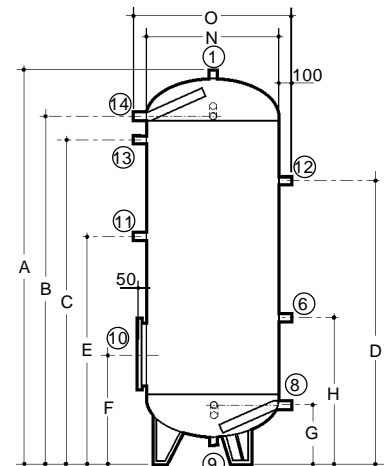
AS 800-2 E, 1000-2 E
(dual coil)



AS 1000-1 E, 2000-1 E and 3000-1E
(1 coil)



AS 1000-IN E, 2000-IN E and 3000-IN E
(no coil)



Dimensions and Technical Data

Position	Description	Tappings					
		AS 80/110/150-1 E	AS 200-2 E	AS 300/400/500-2 E	AS 800/1000-2 E	AS 1000/2000/3000-1 E	AS 1000/2000/3000-IN E
1	Sacrificial anode	-	1 1/4"	-	1 1/4"	1 1/4"	1 1/4"
2	Auxiliary boiler flow	1/2"	1"	1"	1 1/4"	-	-
3	Boiler temp. senso	-	Ø 18 mm ext.	Ø 10 mm int.	1/2"	-	-
4	Boiler return	1/2"	1"	1"	1 1/4"	-	-
5	Solar collector flow	-	1"	1"	1 1/4"	1 1/4"	-
6	Solar collector temp. sensor	-	Ø 18 mm ext.	Ø 6 mm int.	1/2"	1/2"	1/2"
7	Solar collector return	-	1"	1"	1 1/4"	1 1/4"	-
8	Cold water inle	3/4"	1"	1"	1 1/4"	1 1/4"	1 1/4"
9	Draw-off	-	M16 x 1,5	1"	1 1/4"	1 1/4"	1 1/4"
10	Flange	-	Ø 105 mm	Ø 90 mm	Ø 480 mm	Ø 480 mm	Ø 480 mm
11	Electric heater	-	1 1/2"	2"	1 1/2"	1 1/2"	1 1/2"
12	Recirculation	-	3/4"	1"	1"	1"	1"
13	Thermometer	-	1/2"	Ø 10 mm int.	1/2"	1/2"	1/2"
14	Hot water outle	3/4"	1"	1"	1 1/4"	1 1/4"	1 1/4"

Models	Dimensions in mm															Cylinder useful capacity in l	Weight in kg		Surface area m2		Capacity l.	
	A	B	C	D	E	F	G	H	I	J	K	L	M	N	O		Empty	Full	Upper	Lower	Upper	Lower
AS 80-1E	935	-	-	-	-	-	117	330	280	-	-	-	-	-	480	80	40	129	0,31	-	-	-
AS 110-1E	1.155	-	-	-	-	-	117	330	400	-	-	-	-	-	480	106	49	155	0,47	-	-	-
AS 150-1E	1.260	-	-	-	-	-	117	350	440	-	-	-	-	-	560	146	61	207	0,63	-	-	-
AS 200-2 E	1.243	1.136	929	895	650	290	100	264	136	579	690	125	1.005	500	600	200	90	290	0,8	0,8	4,92	4,92
AS 300-2 E	1.685	1.730	-	910	1.120	370	83	350	-	1.060	1.180	-	1.430	520	620	279	120	399	0,66	1,76	5,00	13,00
AS 400-2 E	1.473	1.518	-	690	905	410	83	390	-	840	970	-	1.220	670	770	399	150	549	0,66	1,68	4,83	12,26
AS 500-2 E	1.690	1.735	-	790	1.000	410	83	390	-	940	1.060	-	1.410	670	770	461	175	636	1,2	1,98	9,00	15,00
AS 800-2 E	1.905	1.625	1.490	1.325	1.130	606	255	359	341	1.079	1.190	140	1.526	790	990	760	228	988	1,5	2,4	9,00	14,50
AS 1000-2 E	2.155	1.875	1.749	1.545	1.235	606	255	385	405	1.105	1.345	200	1.745	790	990	950	254	1.204	1,8	2,4	11,00	14,50
AS 1000-1 E	2.155	1.875	1.749	1.545	1.235	606	255	385	405	1.105	-	-	-	790	990	950	230	1.180	-	2,4	-	14,50
AS 2000-1 E	2.550	2.210	2.090	1.835	1.485	696	340	500	370	1.400	-	-	-	1.100	1.300	1.900	465	2.365	-	4,5	-	28,50
AS 3000-1 E	2.950	2.520	2.400	2.080	1.550	756	400	560	470	1.460	-	-	-	1.200	1.400	2.850	646	3.502	-	5,2	-	33,00
AS 1000-IN E	2.155	1.875	1.749	1.545	1.235	606	255	790	-	-	-	-	-	790	990	950	198	1.148	-	-	-	-
AS 2000-IN E	2.550	2.210	2.090	1.835	1.485	696	340	870	-	-	-	-	-	1.100	1.300	1.900	405	2.305	-	-	-	-
AS 3000-IN E	2.950	2.520	2.400	2.080	1.550	756	400	1.030	-	-	-	-	-	1.200	1.400	2.850	576	3.426	-	-	-	-

Back-up electric heater For AS 80-1E, 110-1E and 150-1E



Back-up heater For AS 300 E, AS 400 E and AS 500 E

- Stainless steel heater element
- Watertight aluminium junction box
- Power supply 230V, single-phase



Back-up heater For AS 800 E and AS 1000 E

- Stainless steel heater
- Fitted thermostat, 3-pole, with control range from 10 to 60 °C and manual reset 80 °C overheating safety feature. Single-phase or 3-phase 230V power supply. 3-phase 400V + Neutral



Heating elements for AS storage cylinders:

Model	Electric heater kW
300	2,5
400	2,5
500	2,5
800	6 / 9
1000	6 / 9

Models RC heating elements:

Model	Electric heater kW
RC-26/25	2,5 kW
RC-21/60	6 kW
RC-23/90	9 kW